



The art of power and perfection

# PNEUMATIC ACTUATORS

## ACT-200

PDS-AC-200 Rev. 5



Manufacturing program:

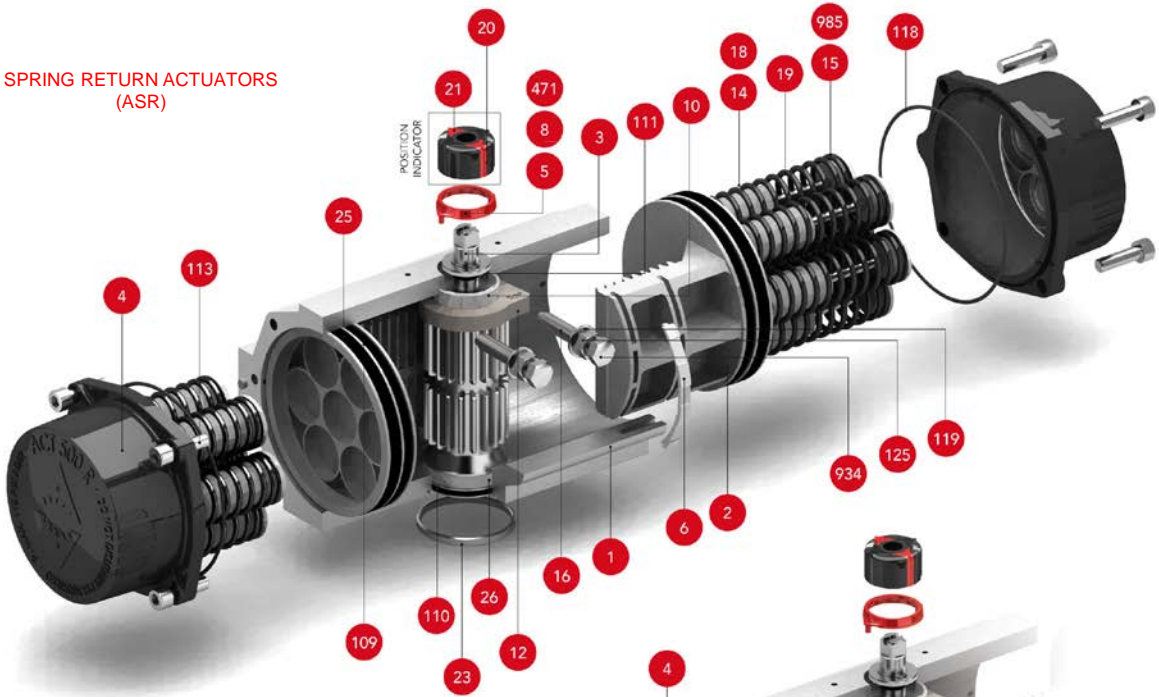
Ex II 2 G D c – LCIE 05 AR 022

Quality & Environmental Management:



## TECHNICAL FEATURES

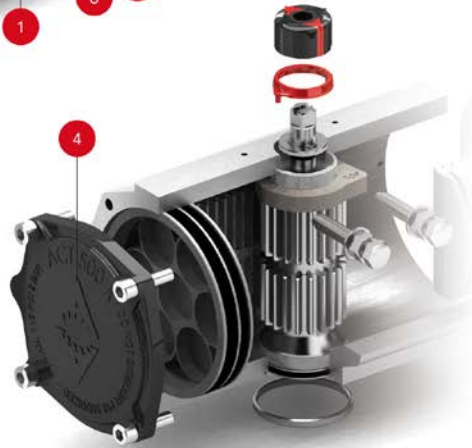
### SPRING RETURN ACTUATORS (ASR)



### POSITION INDICATOR



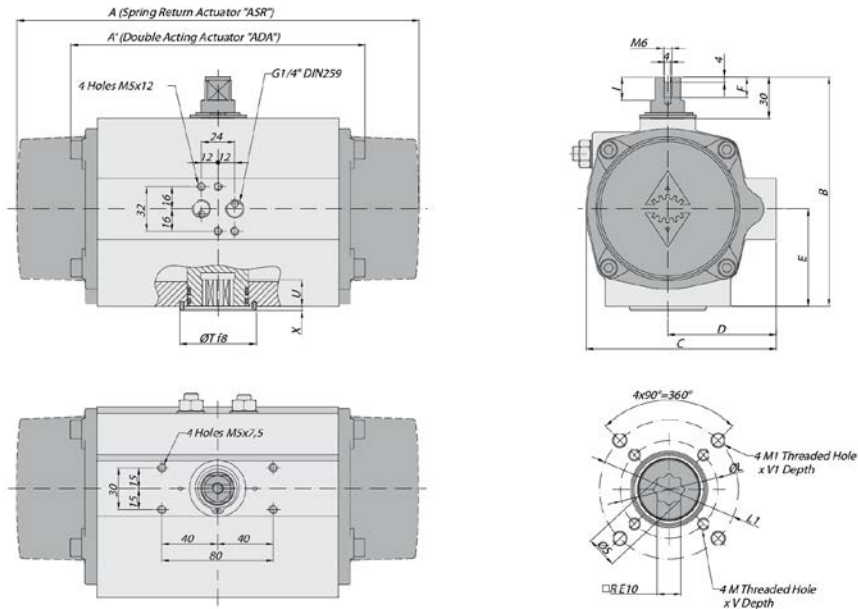
### DOUBLE ACTING ACTUATORS (ADA)



## PARTS & MATERIALS

Item	Description	Material	Item	Description	Material
1	Body	Aluminium Hard Anodized	23	Centering Ring	Nickel Plated Carbon Steel
2	Piston	Aluminium	24	Plug Air Stop	NBR
3	Pinion	Nickel Plated Carbon Steel	25	Slide Guide	Polyamide PA 6.6 + 30% G.F.
4	End Caps	Aluminium Epoxy Coated	26	Lower Pinion Bearing	Hostalen RCH 1000
5	Soft Pinion Washer	Polyamide PA 6.6	109	O-Ring	NBR
6	Slide piston	Polyamide PA 6.6 + 30% G.F.	110	O-Ring	NBR
8	Pinion Washer	Stainless Steel	111	O-Ring	NBR
10	Upper Pinion Bearing	Hostalen RCH 1000	113	Bolt	Stainless Steel
12	Stop	ASTM A-105	118	O-Ring	NBR
14	(*) Spring's Long Support	Polyamide PA 6.6	119	O-Ring	NBR
15	(*) Spring's short Support	Polyamide PA 6.6	125	Washer	Stainless Steel
16	Levelling Screw	Stainless Steel	913	Set Screw	Stainless Steel
18	(*) Bolt	Stainless Steel	471	External Circlip	Stainless Steel
19	(*) Spring	DIN 2076 -D-5.6	934	Nut	Stainless Steel
20	Position Indicator	Polyamide	985	(*) Nut	Stainless Steel
21	Cam	Polyamide			

(\*) Only for serie ASR.



### DIMENSIONS

A	A'	B	C	D	E	F	I	R	ØS	ISO 5211	ØL	M x V	ISO 5211	ØL1	M1 x V1	ØT	X	U
299	225	165	135,5	78	70	12	12,5	17	22,5	F07	70	M8x16	F10	102	M10x16	55	3	23

(\*) Dimensions in mm.

### GENERAL CHARACTERISTICS

<b>DESIGN STANDARDS</b>	Serie ADA Serie ASR	Actuator Actuator	Double Spring	Acting Return
Mounting of solenoid valves	NAMUR Std.			
Mounting of devices	NAMUR VDI		NAMUR VDE 3845 Std.	
Coupling according	ISO 5211		DIN 3337	
Marking	Ex II 2 G D c LCIE 05 AR 022		According to EN 15714-3	
<b>TESTS AND CERTIFICATES</b>				
Quality assurance	ISO 9001		Safety Integral level 3 (SIL3)	

Max. Pressure	Rotation	Screw stroke Adjustment	Chamber Ø (mm)	Air Volume (L)		Stroke Time Sec. (A)		Operating Temperature (°C)				
				Opening	Closing	Opening	Closing	STD (standard)	HT (high temp.)	LT (low temp.)		
8 bar	90° ±5°	For 1° Need ¼ Turn	104,6	1,19	1,2	D	0,15	D	0,22	NBR "O" Ring	FPM "O" Ring	Silicone "O" Ring
						S	0,5	S	0,6	-30° to +100°	-15° to +150°	-40° to +80°

### DOUBLE ACTING ACTUATOR "ADA" TORQUE OUTPUT IN Nm

TYPE	Output Torque For Double Acting in Nm														Weight (Kg)								
	3 bar		3,5 bar		4 bar		4,5 bar		5 bar		5,5 bar		6 bar (A)			6,5 bar		7 bar		8 bar			
Pressure	0°	90°	0°	90°	0°	90°	0°	90°	0°	90°	0°	90°	0°	90°	0°	90°	0°	90°	0°	90°	0°	90°	
D	88		102		117		131		146		161		175		190		205		234		234		5,6

### SPRING RETURN ACTUATOR "ASR" TORQUE OUTPUT IN Nm

TYPE	Output Torque for Spring Return in Nm														Spring stroke		Weight (Kg)						
	3 bar		3,5 bar		4 bar		4,5 bar		5 bar		5,5 bar		6 bar (A)		6,5 bar			7 bar		8 bar		END	STAR
Pressure	0°	90°	0°	90°	0°	90°	0°	90°	0°	90°	0°	90°	0°	90°	0°	90°	0°	90°	0°	90°	0°	90°	
S06	61	49	76	63	90	78	105	92	119	107	134	122	149	136	163	151	178	166	207	195	31	46	6,5
S08			67	50	81	65	96	79	111	94	125	109	140	123	154	138	169	152	198	182	42	61	6,7
S10					72	52	87	66	102	81	116	96	131	110	146	125	160	139	189	169	52	77	6,9
S12						78	53	93	68	107	83	122	97	137	112	151	126	180	156	63	92	7,0	
S14 (A)									99	70	113	84	128	99	142	113	172	143	73	107	7,3		7,3

(A) Standard construction.



**ACTREG, S.A. (Headquarters)**

C/ Cantabria, 2  
Polígono Industrial Les Salines  
08830 Sant Boi del Llobregat  
Barcelona (Spain)  
Phone +34 93 661 44 10  
Fax +34 93 654 33 93

[actreg@actreg.com](mailto:actreg@actreg.com)

**ACTREG do Brasil, Sorocaba (SP)**

Avenida Liberdade, 4565  
Bairro Iporanga - Sorocaba - SP  
CEP 18.087-170  
Sao Paulo, Brasil  
Phone: 0055 (0) 15 3228 1010  
Fax: 055 (0) 15 3235 9511

[actreg@actregdobrasil.com.br](mailto:actreg@actregdobrasil.com.br)

**ACTREG Shanghai Actuator Co. Ltd.**

No.658, Block A, Qiang Ye Road  
SheShan Industrial Zone  
SongJiang District, Shanghai  
P.R.C. 201602

Phone: 0086 21 57796818  
Fax: 0086 21 57792426

[sale@actreg.net.cn](mailto:sale@actreg.net.cn)

**ACTREG UK, LTD**

Units 2 & 3 Henson Close  
Telford Way Industrial Estate  
Kettering Northants NN 16 8PZ  
United Kingdom

Phone: 0044 1536412525  
Fax: 0044 1536521616

[sales@actreg.co.uk](mailto:sales@actreg.co.uk)

**ACTREG North America**

20201 Clark Graham  
Baie D'Urfè, Québec  
H9X 3T5 Canada

Phone: 001 514 457 5777  
Fax: 001 514 457 1348

Toll Free: 1 800 667 4819  
[jr@trueline.ca](mailto:jr@trueline.ca)

For further information visit our website

[www.actreg.com](http://www.actreg.com)